

SimpleAccess[®] Locking Mechanisms

Advanced Security for Swinging, Mis-Aligned Doors

Reliable & Secure, Commercial-Grade

2,300 lb holding force & tested to 1MM cycles

Safely Releases even with Side Load

Unlocks even with 1300 lb of side force on the door

Corrects Door Mis-Alignment

Grabs & pulls door into position up to 5/16"

Energy-Efficient Operation

Low current consumption in standby & operation

Versatile Mounting & Operation

90° or 180° swing doors | surface mount or mortise installs | glass, metal, or wood doors | 12 or 24VDC | vertical or horizontal mount



SimpleAccess[®] Locking Mechanisms

Advanced Security for Swinging, Mis-Aligned Doors

Dimensions

SL30S: 6 ¼" x 1 ¼" x 1 7/8"

SL30D: 10" x 1 ¼" x 1 7/8"

Door Gap

6mm maximum (7/32")

Holding Force

2,200 lb holding force

Side Load

1300 lbs

Alignment

Corrects up to +/- 5/16"

Bolt pin/latch

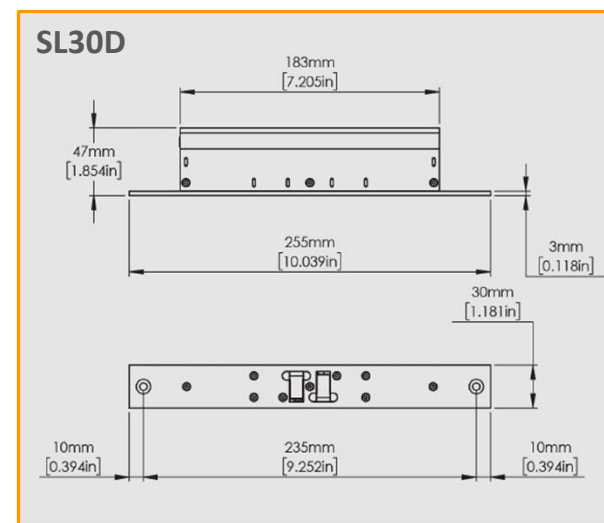
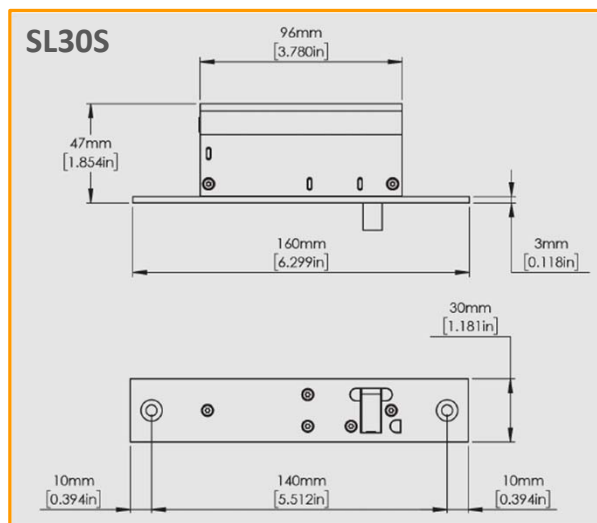
½" extension, 7/16" wide

Electrical

Input voltage: 12–24VDC (auto-sensing)

Standby: 40mA@12VDC, 25mA@24VDC

Operation Peak: 0.75A@12VDC, 0.4A@24VDC



Accessories	SL30S	SL30D
Housing	SA-SL30S-Housing	SA-SL30D-Housing
Dress Plate	SA-SL30S-DP	SA-SL30D-DP
Flush Tab Kit	SA-SL30-Tabs	SA-SL30-Tabs
Strike Plate, Long	SA-SL30S-SP-Long	SA-SL30D-SP-Long
Wire Loom SL30	SA-SL30SD209	SA-SL30SD209