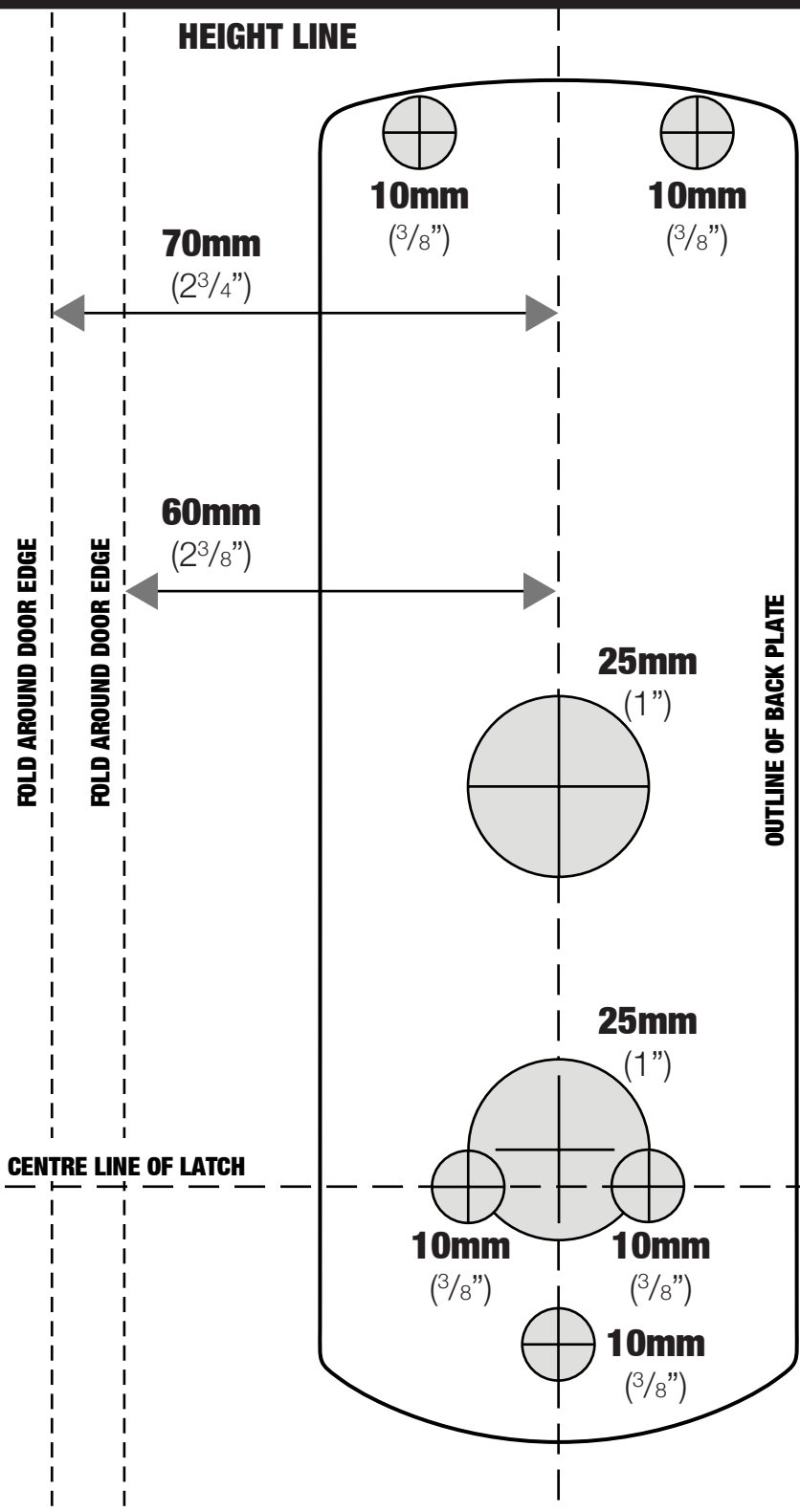


**CODELOCK  
5000  
ELECTRONIC**

**INSTALLATION TEMPLATE**



**HEIGHT LINE**

**10mm**  
( $\frac{3}{8}$ " )

**10mm**  
( $\frac{3}{8}$ " )

**70mm**  
( $2\frac{3}{4}$ " )

**60mm**  
( $2\frac{3}{8}$ " )

**25mm**  
( $1$ " )

**25mm**  
( $1$ " )

**10mm**  
( $\frac{3}{8}$ " )

**10mm**  
( $\frac{3}{8}$ " )

**10mm**  
( $\frac{3}{8}$ " )

**FOLD AROUND DOOR EDGE**

**FOLD AROUND DOOR EDGE**

**CENTRE LINE OF LATCH**

**OUTLINE OF BACK PLATE**

**CODELOCK  
5000  
ELECTRONIC**

**INSTALLATION TEMPLATE**

